

DP8 TWO-WAY 8-INCH HIGH OUTPUT PENDANT MOUNT LOUDSPEAKER



FEATURES

- Stylish, contoured contemporary pendant design
- Same components and voicing as the Distributed Design ceiling and surface mount loudspeaker family
- Consistent, wide dispersion up to 16 kHz
- True coaxial loudspeakers with HF compression drivers
- Tru-Phase™ high-frequency waveguide
- Patented Carbon Ring Cone Technology™
- High efficiency, high output, high intelligibility, low distortion
- Paintable enclosure constructed of high-impact ABS plastic to reduce resonances
- Easy-access power tap switch for selectable 8 ohm or 70V/100V operation
- Integrated rear cover hiding all wires and hanging hardware
- Weather-resistant construction with treated drivers and two-layer powder coated grilles
- ETL listed to comply with UL1480
- Available in standard black or white finishes
- Five-year warranty

APPLICATIONS

- Bars and restaurants
- Hotels, ballrooms and casinos
- Shopping malls and retail environments
- Health and fitness clubs
- Houses of worship
- Corporate meeting rooms
- Airports, convention centers and exhibit halls

The **Distributed Design DP8** is a high performance 8-inch pendant loudspeaker designed for open architecture spaces or any location where a stylish pendant form factor is desired. Featuring high power handling, high sensitivity and realistic sound reproduction, the DP8 can be used in a wide variety of speech and music applications. It is equipped with a built-in autoformer, allowing the full loudspeaker output to be realized with 70V or 100V distribution lines.

Uniform voicing means that the DP8 can be combined with other ceiling and surface mount models in the Distributed Design Series without compromising consistency from zone to zone. The genuine coaxial design uses separate magnets for the LF and HF drivers for reduced distortion and industry-leading sensitivity, thereby permitting 3 dB to 6 dB greater output level while requiring half the amplification power of competing products. The proprietary **Tru-Phase™** waveguide and perfectly centered driver produce a consistently wide conical polar response up to 16 kHz. Community's patented **Carbon Ring Cone Technology™** increases the effective cone area to further reduce distortion while reinforcing the cone for improved durability.

An easy-access selector switch is conveniently located on the face of the loudspeaker for selectable 8 ohm or 70V/100V operation, while an integrated rear cover hides all wiring and hanging hardware for an aesthetically pleasing installation. Two 15-foot (4.5m) long 2mm (0.77") high tensile galvanized steel wire rope suspension cables with integrated spring clips for attaching the cable to the enclosure are included, along with Gripple® brand adjustable height cable fasteners. Optional accessories include 30ft (9.1m) and 50ft (15.2m) hang kits, a replacement Gripple® speed clamp and trimmable 14ft (4.3m) decorative split loom tubing.

The powerful and versatile Distributed Design **DP8** provides high quality paging and musical performance suitable for retail environments, restaurants, resorts, and numerous other applications where the importance of sonic quality cannot be ignored.

Exceptionally Even Coverage | Stunning Sound Quality | Rapid Installation

DISTRIBUTED DESIGN SERIES

DP8

TWO-WAY 8-INCH HIGH OUTPUT PENDANT MOUNT LOUDSPEAKER

DISTRIBUTED DESIGN SERIES



SPECIFICATIONS

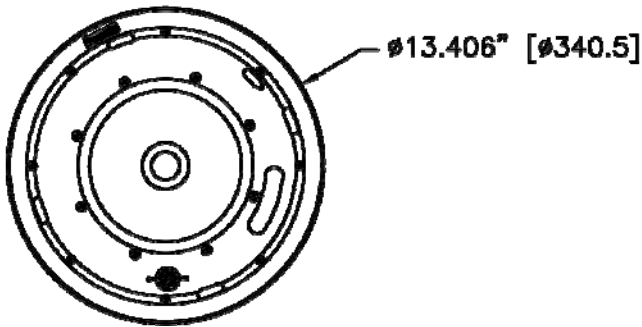
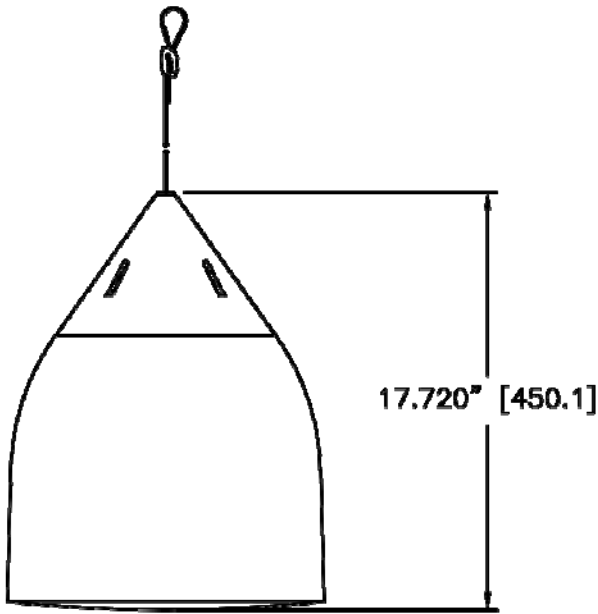
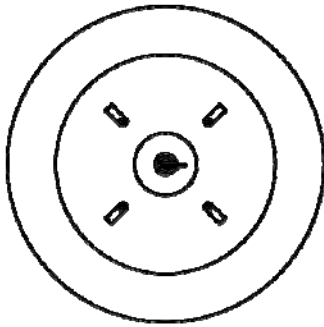
Loudspeaker Type:	Two-way, full-range, coaxial pendant mount loudspeaker, 8 ohm or 70V/100V operation	
Operating Range:	60 Hz - 22 kHz	
Frequency Response:	80 Hz - 20 kHz (\pm 5dB)	
Max Input Ratings (8 ohm):	150W continuous, 375W program 34.6 volts RMS, 69.3 volts momentary peak	
Transformer Taps - 70V: 100V:	120W, 60W, 30W, 15W and low impedance 120W, 60W, 30W	
Distortion - 10% Full Power:	2nd Harmonic	3rd Harmonic
500 Hz	1.28%	1.14%
2 kHz	0.45%	0.23%
8 kHz	2.52%	0.02%
Sensitivity (1W/1m):	95 dB SPL (120 Hz to 12.5 kHz 1/3 octave bands) 94 dB SPL (250 Hz to 4 kHz speech range)	
Maximum Output:	117 dB SPL / 123 dB SPL (peak 8 ohm)	
Nominal Impedance:	8 ohms	
Minimum Impedance:	5.6 ohms @ 200 Hz	
Nominal Coverage:	100° conical (1 kHz to 6 kHz) 115° conical (500 Hz to 6 kHz)	
Axial Q / DI:	6.4 / 8, 500 Hz to 6 kHz	
Crossover Frequency:	1.3 kHz	
Recommended High Pass Filter:	60 Hz / 24dB octave	
Drivers:	LF 1 x 8-inch HF 1 x 1.25-inch exit compression driver	
Driver Protection:	Self-resetting solid state circuit breaker	
Input Connection:	Two 2-position Phoenix connectors	
Controls:	Front-face wattage / low impedance selector switch	
Enclosure:	UL 94V-0 rated ABS plastic, matte finish, paintable	
Finish:	Black or white	
Mounting/Rigging Provisions:	Two PHK-15 pendant hang kits (one for main suspension and one as a safety cable), each including 15ft (4.5m) long 2mm (0.77") high tensile galvanized steel wire rope suspension cables with integrated spring clips for attaching the cable to the loudspeaker bracket and Gripple® brand adjustable height cable fasteners.	
Grille:	Powder coated steel with safety line, black or white finish, paintable	
Baffle:	Reflex loaded UL 94V-0 rated ABS	
Safety Features:	Included safety cable. Each cable has an SWL of 99 lbs (45 kg).	
Safety Agency Ratings:	ETL listed to comply with UL1480 and CSA60065. Suspension system and Gripple® brand cable fastener listed per UL1598 and UL2239, TUV and CSA Class 3426-01 and Class 3426-81.	
Required Accessories:	Electronic high pass filter	
Supplied Accessories:	Two PHK-15 pendant hang kits Enclosure ABS plastic rear cover Rear cover ingress weather plug	
Optional Accessories:	PHK-30 30ft (9.1m) pendant hang kit PHK-50 50ft (15.2m) pendant hang kit PSC replacement Gripple® speed clamp PST-14 trimmable 14ft (4.3m) decorative split loom tubing	
Dimensions - Height:	17.720 inches (450.1 mm) enclosure	
Diameter:	13.406 inches (340.5 mm) face diameter	
Weight:	16.5 lbs (7.5 kg) includes cables and Gripples	

NOTE:

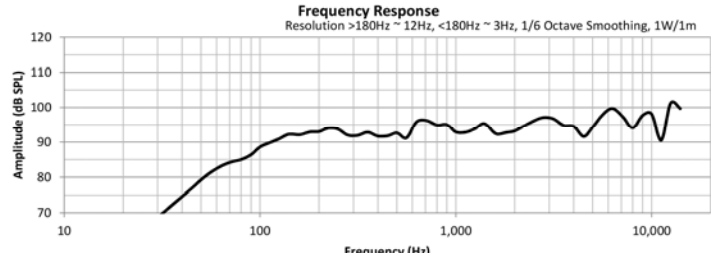
1. Watts: All wattage figures are calculated using the rated impedance.



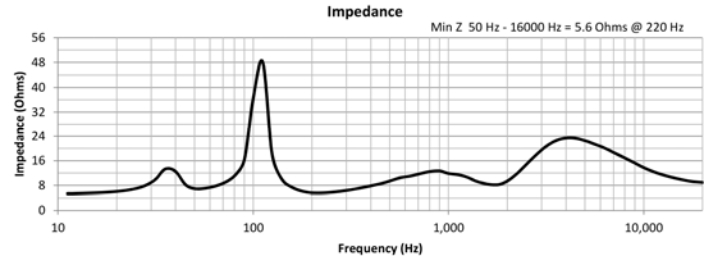
DIMENSIONAL DRAWING



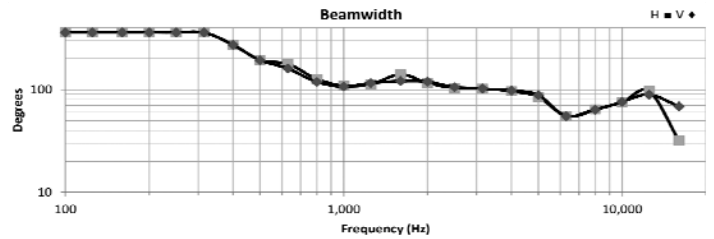
FREQUENCY RESPONSE



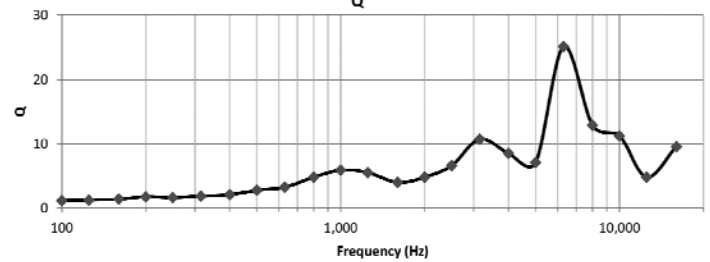
IMPEDANCE



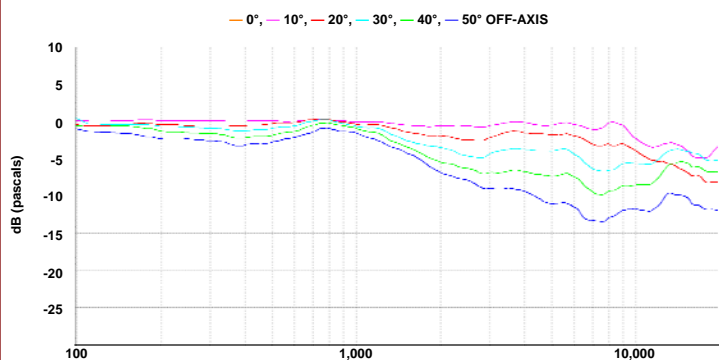
BEAMWIDTH



AXIAL Q



DISPERSION DEVIATION





TWO-WAY 8-INCH HIGH OUTPUT
PENDANT MOUNT LOUDSPEAKER

DP8

ARCHITECTURAL SPECIFICATIONS

The loudspeaker system shall be a two-way, full-range ceiling mount system with a 8-inch low frequency transducer with patented Carbon Ring Cone Technology™ and a coaxially mounted 1.25-inch exit high frequency compression driver. The drivers shall be connected to an integral crossover with a crossover frequency of 1.3 kHz, with a self-resetting solid state circuit breaker for driver protection.

The system shall have an amplitude response of 80 Hz to 20 kHz (± 5 dB) and a low impedance (8 ohm) input capability of 28V RMS. The sensitivity at 1W/1m shall be 95 dB (120 Hz to 12.5 kHz) and 94 dB (250 Hz to 4 kHz) free space SPL. The loudspeaker system shall have a conical coverage pattern of 115 degrees from 500 Hz to 6 kHz. The nominal system impedance shall be 8 ohms (in low impedance setting).

The loudspeaker enclosure and loudspeaker baffle shall be paintable and constructed of UL 94V-0 rated ABS plastic. A paintable steel grille with a durable powder-coat finish shall be included.

The system shall be equipped with a 120W high performance autoformer for use in 70V or 100V distributed audio systems, with 120W, 60W, 30W, and 15W taps available in 70V distributed systems (120W, 60W, and 30W taps available in 100V distributed systems). An easily accessible front-face tap selector switch located on the front baffle, which is concealed by the removable grille, shall be available for selecting autoformer and low impedance settings.

Two 15ft (4.5m) long 2mm (0.77") high tensile galvanized steel wire rope suspension cables shall be included, one for main suspension and one as a safety cable, along with Gripple® brand adjustable height cable fasteners. Integrated spring clips shall attach the cable to the loudspeaker bracket. An integrated rear cover shall be available to hide wiring and hanging hardware.

The loudspeaker system shall have a diameter of 13.406 inches (340.5 mm) and an enclosure height of 17.720 inches (450.1 mm). It shall weigh 16.5 lbs (7.5 kg).

The system shall be ETL listed to comply with UL1480 and CSA60065.

The loudspeaker system shall be the Community Distributed Design DP8.